



CONTACTLESS READERS

# WalletMate

Mobile wallet NFC Reader  
(Apple VAS & Google Smart Tap Certified)

The WalletMate Mobile wallet NFC Reader is designed to facilitate mobile NFC applications. Certified by Apple and Google VAS (value-added service) protocols, the WalletMate could bring ultimate cardless user experiences by supporting various virtual passes such as loyalty cards, tickets, and staff /student ID cards on both IOS and Android platforms. With the VAS protocol, users can enjoy an agile and convenient tap-to-go experience as the host terminal could select a specific wallet pass from the user's mobile through a unique merchant ID.

The WalletMate is developed based on 13.56MHz, it supports ISO 14443 Type A and B cards, MIFARE®, FeliCa, and ISO 18092-compliant NFC tags. It is certified by the NFC forum, making it capable of the three NFC modes, namely: card reader/writer, card emulation and peer-to-peer communication.

Compliant with both CCID and PC/SC, this plug-and-play USB NFC device allows interoperability with different devices and applications. It is thus ideal for integrating into various systems to support both physical smart cards and virtual wallet passes.



## KEY FEATURES

- ✓ **Support various type of card type**
  - ISO/IEC 18092 NFC
  - ISO 14443 Type A & B (T=CL)
  - MIFARE®
  - FeliCa
- ✓ **Apple VAS & Google Smart Tap Certified**
  - Well tested and certified by Apple and Google, work with their respective VAS (Value-added service) protocols
- ✓ **Secure**
  - Long Term Private Key (LTPK) stored inside secure element for Google Smart Tap
- ✓ **Flexible**
  - Read/write speed, LED & Buzzer can be programmable
- ✓ **Support USB Firmware Upgrade**
- ✓ **Reliable**
  - Certified for international regulations
  - Mean time between failures (MTBF) up to 500k Hours
- ✓ **Compatibility**
  - Support for all major operating systems
    - Windows®, Linux®, macOS, Android™

## Common Applications

- e-Government
- e-Banking and e-Payment
- e-Healthcare
- Transportation
- Network Security
- Access Control
- Loyalty Program
- Smart Poster/URL Marketing
- P2P Communication



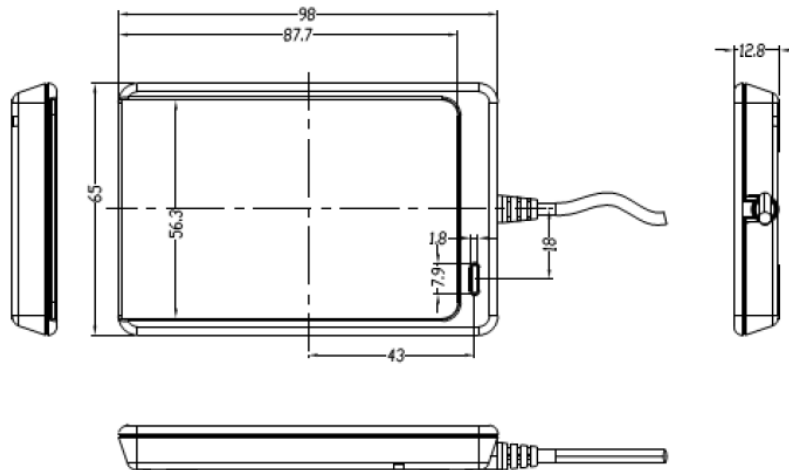


## TECHNICAL SPECIFICATION

Contactless Smart Card Interface	
Supported Card Types	ISO/IEC 18092 NFC, ISO 14443 Type A & B, MIFARE®, FeliCa
Operating Frequency	13.56 MHz
Reading Distance	Up to 50 mm (Depending on tag type)
Read/Write Speed	106/212/424 kbps (Programmable)
Anti-Collision	Yes
Supported NFC Mode	NFC Reader/Writer, Peer-to-Peer, Card Emulation
Host Interface	
Protocol	USB CCID
Connector Type	USB Type-A
Speed	USB 2.0 Full Speed (12Mbps)
Supply Voltage	5VDC
Current Consumption	Max. 200mA
USB Firmware Upgrade	Supported
Physical Characteristics	
Dimension (L x W x H)	Main Body: 98 x 65 x 12.8 mm Antenna size: 50 x 40 mm
Weight (±5 g)	79 g (USB Type-A)
Available Colour	Matte Black
USB Cable Length	1 m (Non-detachable)

Peripherals	
Buzzer	1 x Programmable Buzzer (Mono-tone)
LED	1 x Programmable LED (Red & Green)
Operating Condition	
Temperature	0 - 60°C
Humidity	90% (Non-condensing)
MTBF	500,000 Hours
Certifications & Compliances	
Certifications	Apple VAS, Google Smart Tap, NFC Forum Certification Mark, IEC/EN 62368, CE, UKCA, FCC, J-LIS, VCCI, TELEC, KC, BIS, RoHS, REACH, WEEE, Microsoft® WHQL
Compliances	USB CCID, PC/SC
Libraries & Tools	
Libraries	Apple VAS API, Google Smart Tap API, CT-API
Tools	ACS VAS Test Tools with API (Windows, Linux), <i>(More support will come for other operating systems)</i> Software Development Kit (USD 199)
Drivers & Support	
Driver Supported OS	Windows®, Linux®, macOS, Android™
Warranty	1 Year
Model/Part Number	
Default	ACR1252U-MW (USB Type-A)

## MECHANICAL SPECIFICATION



### About ACS

Advanced Card Systems Ltd. (ACS), founded in 1995, is Asia Pacific's top supplier and one of the world's top 3 suppliers of PC-linked smart card readers. ACS is the winner of the Product Quality Leadership Award for Smart Card Readers from Frost & Sullivan. In 2010, 2014 and 2015, ACS was listed in Forbes Asia's "Best Under a Billion" list, an inter-industry list comprised of 200 top-performing publicly listed companies in the Asia-Pacific, with sales between US\$5 million and US\$1 billion. ACS develops a wide range of high-quality smart card reading/writing devices, smart cards and related products and distributes them to over 100 countries worldwide.

Click [here](#) for Sales Enquiry

Tel: +852-2796-7873

Fax: +852-2796-1286

macOS is registered trademarks of Apple Inc., registered in the U.S. and other countries.

Windows® is a trademark of Microsoft Corporation in the United States and/or other countries.

Android™ is trademarks of Google LLC.

Linux® is the registered trademark of Linus Torvalds in the U.S. and other countries.

